

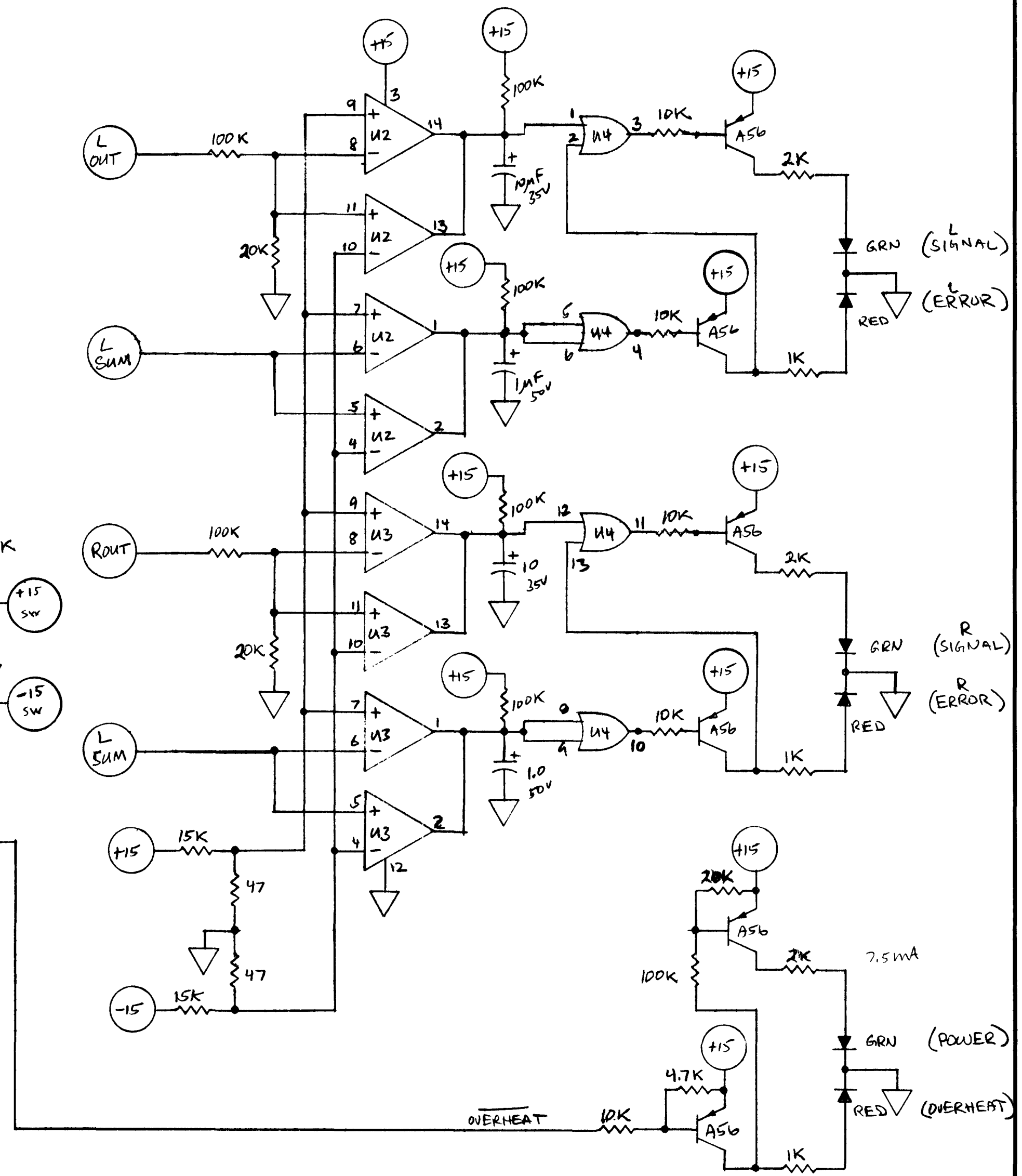
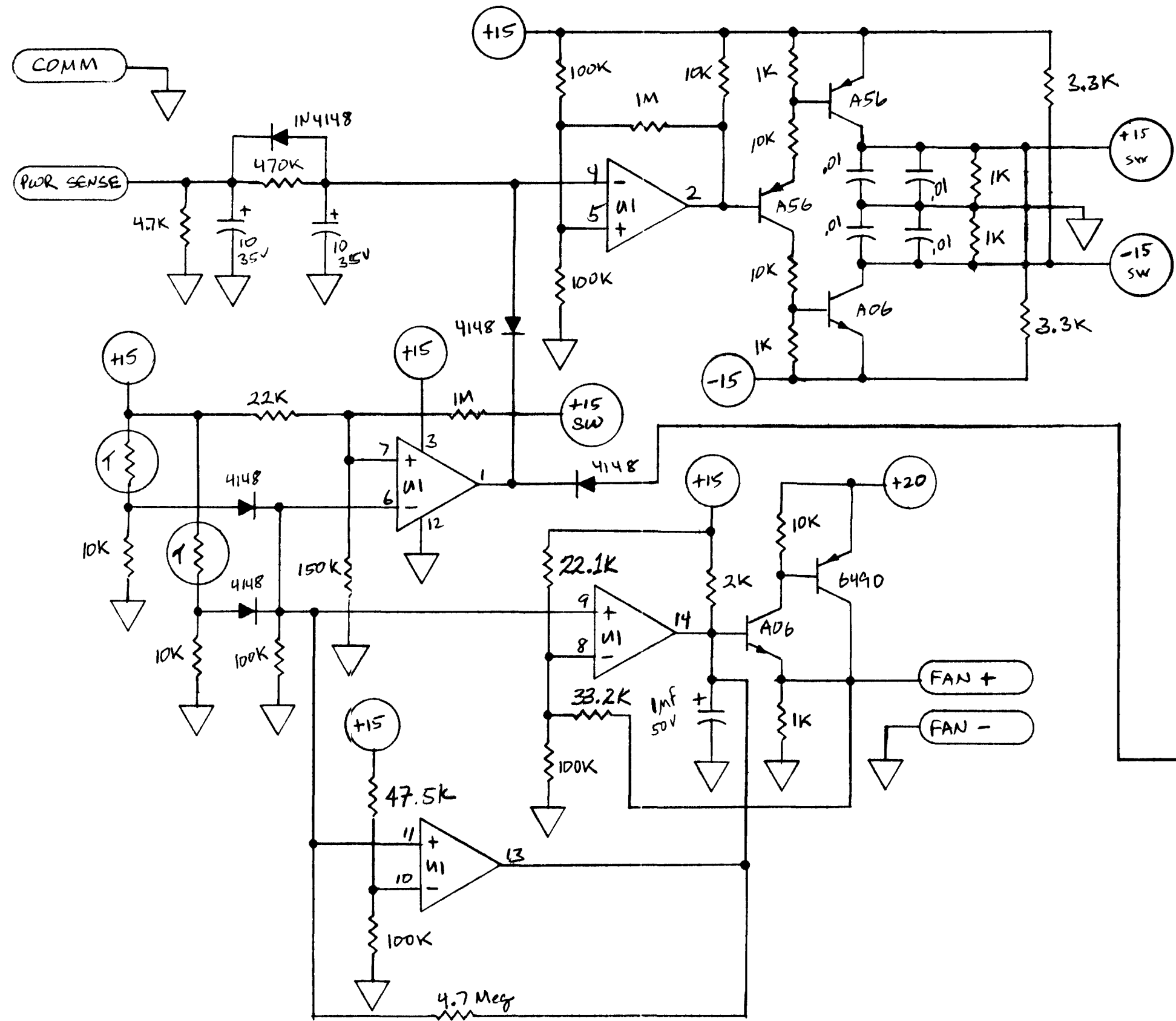
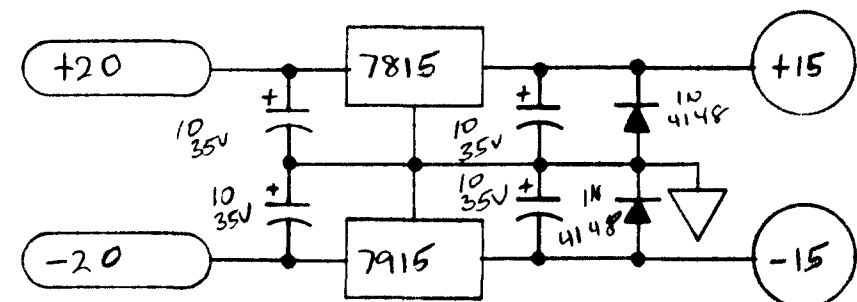
NOTES

RELAY SHOWN IN (220V) THE ENERGIZED POSITION

JW1 AND JW2 GO TO FRONT PANEL PWR SWITCH

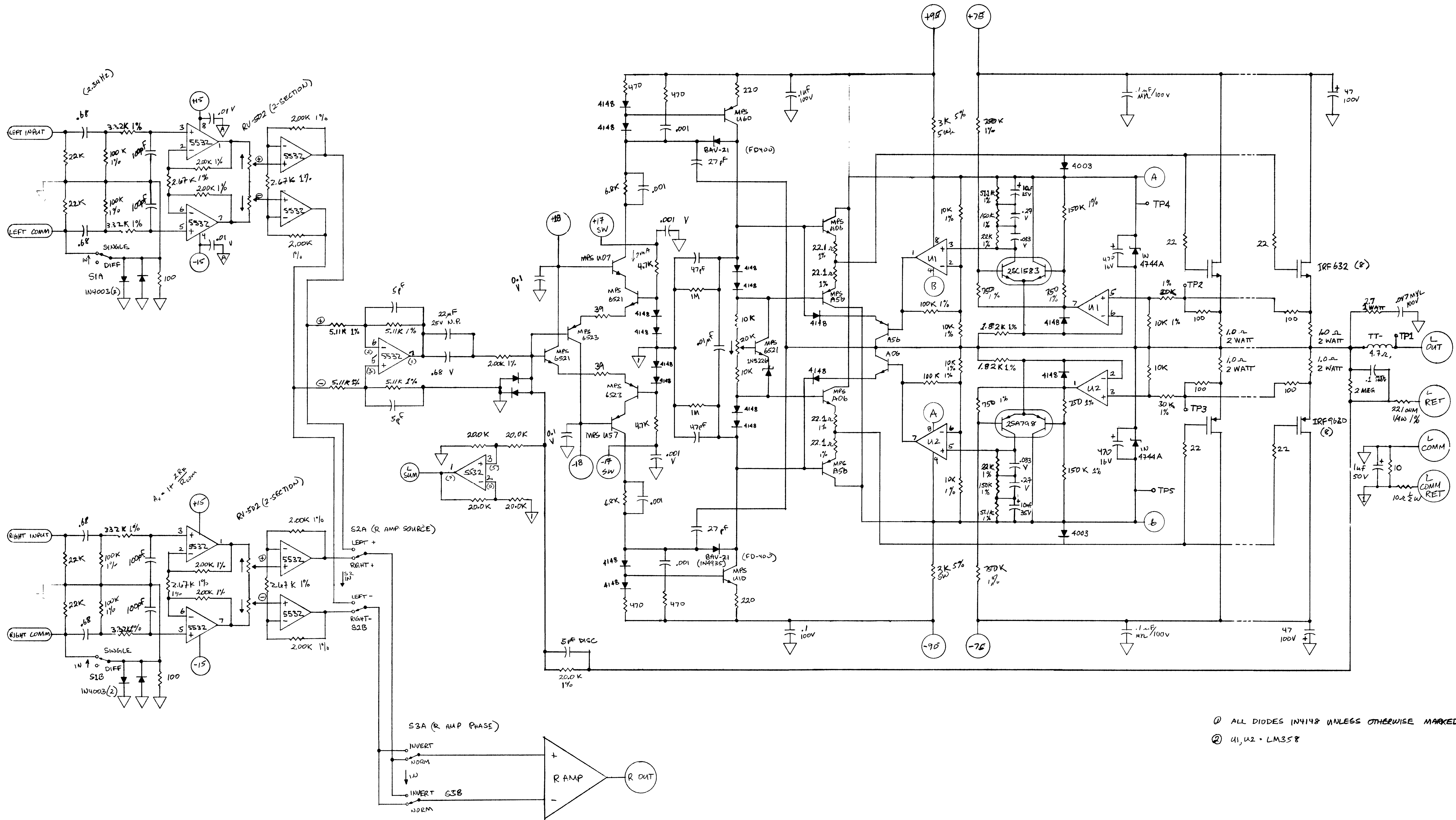
JW12 AND JW13 ARE THE RETURNS FOR THE 42K UFD FILTER CAPS

WP-2001
SS-229



U1, U2, U3 = LM393 QUAD COMPARATOR
 U4 = 7401 (14071) QUAD "OR"

SCALE:		DRAWN BY	
DATE:	6/1/88	REVISED	SCOTT C.
RF-2000 CONTROL & DISPLAY			
PC REVC SCHEM REV D:			DRAWING NUMBER



- ① ALL DIODES 1N4148 UNLESS OTHERWISE MARKED
- ② U1, U2 = LM358

RF 2000 ckt sch		
SCALE:	APPROVED BY:	DRAWN BY: <i>FRANCE</i>
DATE: 6/1/88		REVISED: <i>SCOTT C</i>
RF-2000	REV E	
PC REV D, SCHEM REV E		DRAWING NUMBER